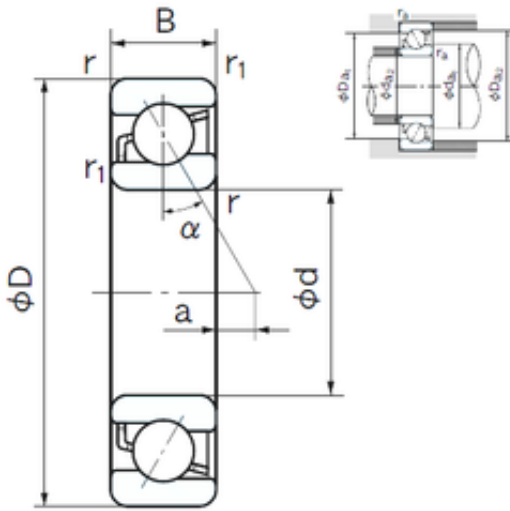




BEARINGS ACCESSORIES IMPORTED LTD



180 mm x 320 mm x 52 mm NACHI 7236C
angular contact ball bearings

Bearing No. 7236C

7236C Bearing 2D drawings and 3D CAD models

Size	180x320x52 mm
Bore Diameter	180 mm
Outer Diameter	320 mm
Width	52 mm
d	180 mm
D	320 mm
B	52 mm
C	52 mm
Angle (°)	15 °
a	3.3 mm
r min.	4 mm
r1 min.	1.5 mm
da min.	198 mm
Da max.	302 mm
ra max.	3 mm
Weight	19.9 Kg
Basic dynamic load rating (C)	310 kN
Basic static load rating (C0)	385 kN
(Grease) Lubrication Speed	3200 r/min
Configuration	Single Row
Enclosure	Open
Bore Type	Cylindrical Bore
Bore Size	180 mm
Outside Diameter	320 mm
Width	52 mm



BEARINGS ACCESSORIES IMPORTED LTD

Fillet Radius/Chamfer	4 mm
r1	1.5 mm
Dynamic Load Rating	310,000 N
Static Load Rating	385,000 N
Limiting Speed - Grease	3,200 rpm
Limiting Speed - Oil	4,400 rpm
da1 (min)	198 mm
da2 (min)	189 mm
Da1 (max)	302 mm
Da2 (max)	311 mm
ra (max)	3 mm
ra1 (max)	1.5 mm